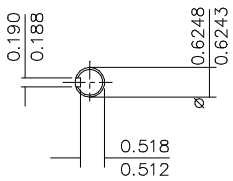
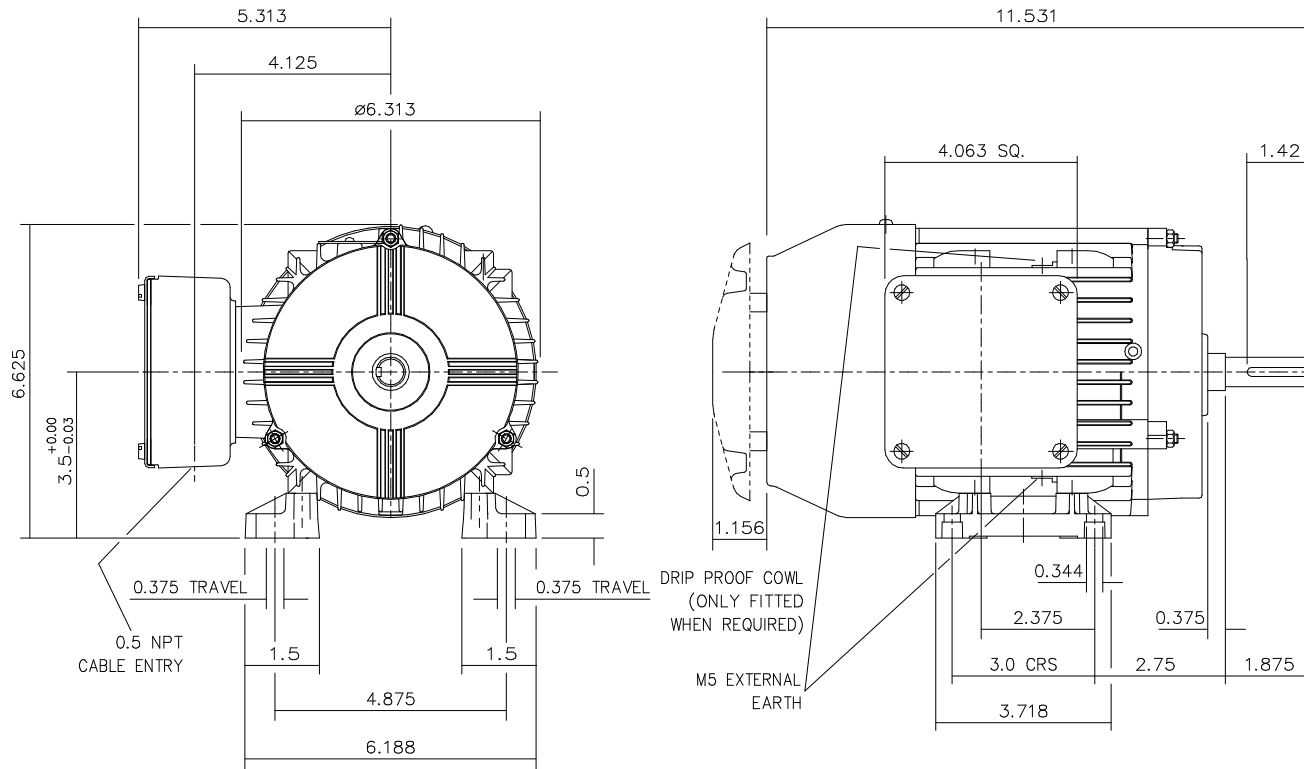


DRG. No. W56GF001/0

DRG. REF.

CUSTOMER		
ORDER No.		
PART No.		
OUR ORDER No.		
FRAME SIZE		
KW.	RPM.	
Hz	PHASE	
VOLTS	POLES	
BRGS.	DE.	NDE.
MOTOR NETT WT.	Kg.	
SPECIAL REMARKS		

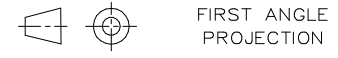


VIEW ON SHAFT EXTENSION

DRIP PROOF COWL (ONLY FITTED WHEN REQUIRED)

M5 EXTERNAL EARTH

ALL DIMENSIONS IN INCHES.



BROOK CROMPTON

Huddersfield, HD1 3LJ
ENGLAND

TERMINAL BOX POSITION:- CAN BE ARRANGED AT EITHER 9,12 OR 3 O'CLOCK BY MOVING
STANDARD TERMINAL BOX POSITION IS 3 O'CLOCK AS SHOWN.
CONDUIT ENTRIES:- TERMINAL BOX CAN BE ROTATED AT 90° INTERVALS
(CONDUIT ENTRY POSITION SHOWN FOR ILLUSTRATION ONLY).

SHEET SIZE A3	TITLE OUTLINE DIMENSION DRAWING ALUMINIUM TOTALLY ENCLOSED FAN COOLED 2-DA56 FRAME FOOT MOUNTED MOTOR	NAME	DATE	DRG. No.	W56GF001/0			
		DRAWN	RR	27-05-99	DRG. REF.			
		CHECKED	DJR	07-07-99	REVISION:		DATE	
		SCALE	1: 2.5					